



MOBILEPRO



Self-cleaning fume extractor
for the professional welder



DO YOU REMOVE WELDING FUMES EFFECTIVELY?

We do. Removing welding fumes in a welding workshop, especially at the source, contributes significantly to a better work environment. Source extraction remains the most effective method of capturing and removing welding fumes directly from the breath-ing zone of the welder.

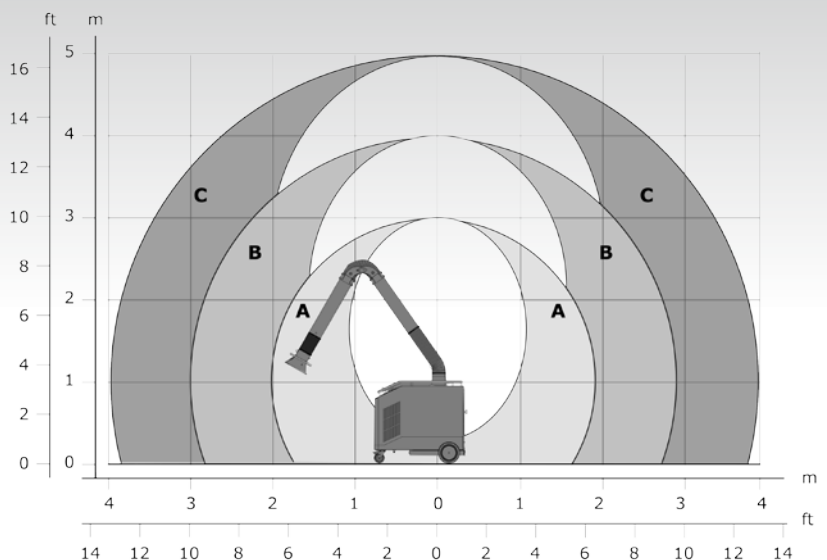
We have 40 years of experience. Plymovent has been specialising in the extraction and filtration of welding fumes. We offer high-quality solutions that keep the background concentration of welding fumes within the legal limits, in accordance with international guidelines.

All our extraction and filtration products are designed primarily to remove and control welding fumes in the metal-working industry to protect the welders and people working nearby. The result: better work performance, increased productivity and less absence due to illness.

A TOTAL SOLUTION

The MobilePro is a welding fume extractor for professional welders that need a flexible solution. Plymovent's mobile filter units are designed to remove welding fumes on-site in confined spaces and spaces that are difficult to reach by fixed welding fume extraction systems, for example in the middle of a workshop or reversely, in an outer corner of a facility. This stable mobile unit has an ergonomic handgrip and has four wheels, of which two swivel casters, to facilitate easy movement. The MobilePro is suitable for many welding applications such as MIG, MAG, TIG, GMAW, FCAW and stick electrode welding. Naturally Plymovent's extraction arms, the 3 and 4 meter KUA and Economy Arm, can be attached to the MobilePro to reach the required length.

WORKING RANGE



A	KUA-2/S	
B	KUA-3/S	EA-3/S
C	KUA-4/S	EA-4/S

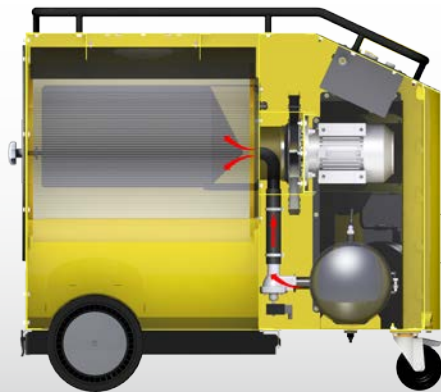
FEATURES MOBILEPRO

Washable 100% polyester
20 m² BiCo filter cartridge
for longer filter life

With IFA W3 certificate:
10 m² BiCo filter with PTFE membrane



Dust tray with easy access



Fan 1,1 kW (1.5 Hp) for powerful extraction

Self-cleaning Ram-Air™ pulse amplifier provides better cleaning for longer filter cartridge life and lower pressure loss

SILENTFLOW™ DUCT FREE SILENCER

The MobilePro has an integrated fan placed in a SilentFlow™ sound absorbing box. SilentFlow™ reduces both the mechanical and airflow noise of the fan by using an innovative air flow path, acoustic panels and a specially designed outlet.

RAM-AIR™ LOW OPERATIONAL COSTS

The MobilePro features a Ram-Air™ pulse amplifier, a powerful part of the back pulse cleaning system, that enhances the cleaning efficiency. A Ram-Air™ pulse amplifier is placed in the filter cartridge and disperses the pulse energy directly to the filter medium. The results are significant: cleaner filters; lower pressure drop, less compressed air and energy consumption. Ram-Air™ means low operational costs.

BICO FILTER CARTRIDGES LAST LONGER

Filter life is not only determined by cleaning efficiency but more often by the strength of the bonding between the fibers in the media. Most cartridges fail when the bonding breaks. This causes an immediate pressure drop and a decrease in airflow, the result – costly filter cartridge replacements. Plymovent's BiCo polyester filter cartridges are based upon the latest state of the art *Bi-Component Technology*. This technology, making use of fibers, with a difference in melting point between core and surface, guarantees consistent quality and strength which produces a much longer cartridge life. Plymovent cartridges are 100% polyester and therefore also washable.

TECHNICAL SPECIFICATIONS

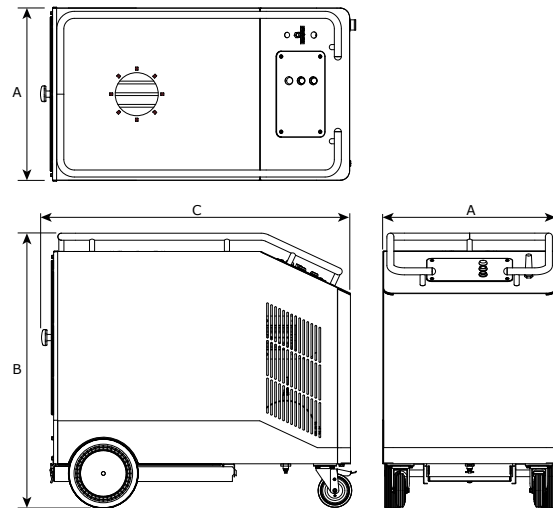
Filter surface area*	20 m ²		
Extraction capacity	Max. 1200 m ³ /h (700 CFM)		
Filter material*	100% BiCo polyester		
Cartridge	Washable		
Motor*	115V/1ph/60Hz (Canada)		
	230V/1ph/50Hz		
	400V/3ph/50Hz + N		
Arm combinations	KUA-2/S	KUA-3/S	KUA-4/S
	EA-3/S	EA-4/S	
Option	HL-20/24-160 Halogen working light with box (arm/hose 359° rotatable)		
Noise level	72 dB(A) according to ISO 3746		
Weight	169 kg		

*TECHNICAL SPECIFICATIONS WITH IFA W3 CERTIFICATION

Filter surface area	10m ²		
Filter material	BiCo polyester carrier with PTFE membrane		
Motor	400V/3ph/50Hz + N		

Certification IFA W3 is pending

DIMENSIONS



	mm	inch
A	646	25.4
B	1024	40.3
C	1150	45.3

PLYMOVENT[®]
clean air at work

PLYMOVENT OFFERS COMPLETE SOLUTIONS FOR AIR CLEANING

Plymovent has been gaining experience for 40 years in the field of air cleaning. We have extensive knowledge of the extraction and filtration of welding fumes and oil mist in metalworking industries. Additionally, we are also specialised in the removal of vehicle exhaust fumes.

Your authorised Plymovent distributor:



Welding Company NV Belgium
Brandekensweg 6 - 2627 Schelle
Tel.: +32 3 880 81 80
info@weldingcompany.be

Welding Company Nederland BV
Ambachtsweg 2 - 4128 LC Lexmond
Tel. +31 (0)347-745008
info@weldingcompany.nl

Plymovent cares about the air you breathe. We offer products, systems and services which ensure clean air at work, anywhere in the world.

We respect the environment and we deliver high-quality products. Our expertise gained over many years and our genuine commitment to customer requirements enable us to provide precisely the solutions you need.

Plymovent reserves the right to make design changes.

www.plymovent.com